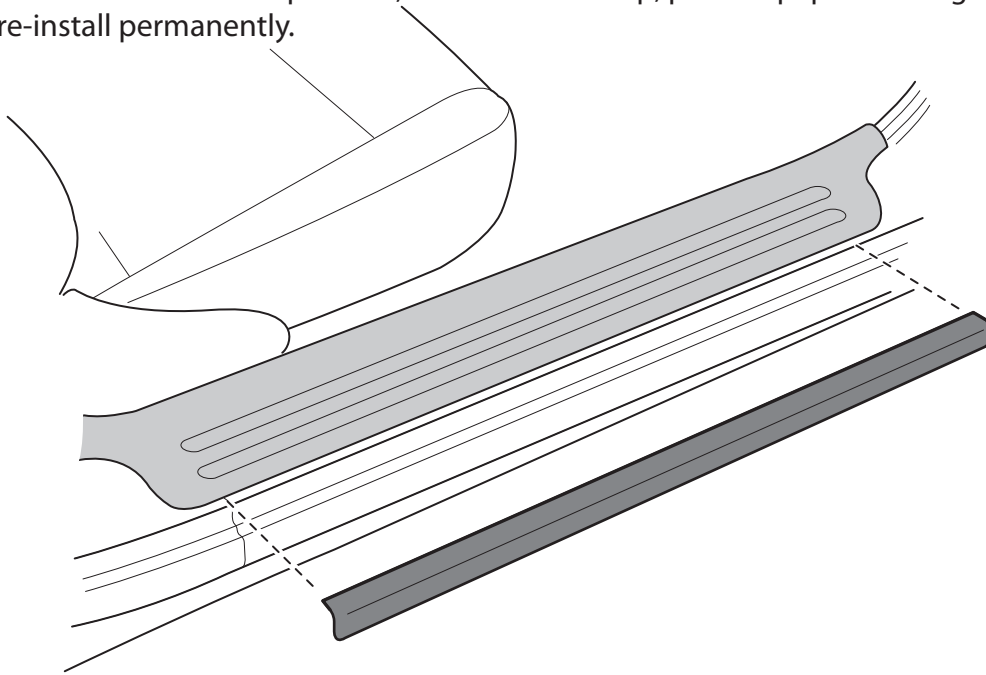


# Installation Instructions for Mazda Miata (MX-5) Sill Tip

For 1999 and newer models.

1. Make sure your sill area is clean and dry.
2. Pull the plastic protective covering off a Sill Tip.
3. Slip the Sill Tip under a plastic sill cover as shown in the illustration to test-fit.
4. When you are satisfied with the position, remove the Sill Tip, pull the paper backing off the adhesive strips and re-install permanently.



#P1170

